

1 ROCKER SWITCHES

Midsize Illuminated and Non-Illuminated AC Rated Rocker Switches — 1500/2500 Series

DESCRIPTION

Eaton's 1500/2500 series rocker switch offers a designer touch that will enhance any product line.

Ideal applications include appliances, electronic instrumentation, data processing, communications, medical and office equipment. Custom legends are available on the switch actuator and bezel.

High Inrush Option

The 1500H/2500H is designed to handle high inrush currents up to 100A peak inrush for 10 milliseconds.

Hi-Lite Rocker with High Inrush Option

This two color rocker version brightly indicates the "ON" position. This version spares the expense of more costly illuminated switches and is available with the high inrush option.

SPECIFICATIONS

Ratings:

See selection tables.

Circuits:

1PST, 1PDT, 2PST, 2PDT
Maintained and momentary.

High Inrush Option

1PST, 2PST, maintained.

Hi-Lite Option

1PST, maintained.

Contact Mechanism:

Slow-make/Slow-break butt contact.

High Inrush Option

Slow-make/Slow-break butt contact.

Make:

High Inrush Option

100A peak inrush at 250V ac for 10ms for 10,000 cycles minimum.

HOW TO ORDER — MIDSIZE NON-ILLUMINATED

To determine your **Complete Catalog Number**, you must start with the appropriate **Base Circuit Number** and add the appropriate **Code Letters** and/or **Numbers** as in the example below:

| Start with this Base Circuit Number | ...add each appropriate Code Number or Letter... | | | | ...to get to your Complete Catalog Number |
|--|--|-----------------|---------------------|----------------------|--|
| Base Circuit Catalog Number | Base and Bezel Color | Rocker Color | Termination Type | Legend (optional) | Complete Catalog Number |
| 1500 | -2 | 1 | E | 038 | 1500-21E038 |

MIDSIZE NON-ILLUMINATED SELECTION TABLE (BOLD FACE TYPE INDICATES ITEMS NORMALLY IN DISTRIBUTOR STOCK)

| Rating ① | Poles and Throw | Circuit with Rocker in | | | BASE CIRCUIT ② | CIRCUIT NUMBER SEE PAGE 4.29 | CODE LETTERS AND NUMBERS — ADD TO BASE CIRCUIT NUMBER | | | | | | |
|---|-----------------|------------------------|----------------------|--------------------|-----------------------------|---------------------------------|---|-----------------------|--------------|---|------------------|------------------|-------------------|
| | | UP Position | CENTER Position | DOWN Position | | | Base and Bezel Color | | Rocker Color | | Termination Type | | Legend (optional) |
| | | | | | | | Color | Code | Color | Code | Termination | Code | Type |
| 15A, 125V ac 10A, 250V ac 10(4)A, 250V ac | 1 P.S.T. | ON ON* | NONE NONE NONE | OFF OFF OFF* | 1500 1501 1505 | Black White Red | -1 -2 -3 | Black White Red | 1 2 3 | 6.3mm Tabs/ .250" Quick Connect Solder Lugs | E B | See Page 1.19 | |
| | 1 P.D.T. | ON ON | NONE NONE | ON ON* | 1502 1503 | | | | | | | | |
| 15A, 125V ac 10A, 250V ac 10(2)A, 250V ac | 1 P.D.T. | ON | OFF | ON | 1504 | | | | | | | | 6 |
| 10A, 125V ac 10A, 250V ac 10(2)A, 250V ac | 1 P.D.T. | ON* | OFF | ON* | 1506 1507 | | | | | | | | 9 8 |
| | | ON* | OFF | ON | 1507 | | | | | | | | 8 |
| 15A, 125V ac 10A, 250V ac | 2 P.S.T. | ON ON* | NONE NONE NONE | OFF OFF OFF* | 2500 2501 2505 | | | | | | | | 10 11 12 |
| | 2 P.D.T. | ON ON | NONE NONE | ON ON* | 2502 2503 | | | | | | | | 13 15 |
| 15A, 125V ac 10A, 250V ac 10(2)A, 250V ac | 2 P.D.T. | ON | OFF | ON | 2504 | | | | | | | | 14 |
| 10A, 125V ac 10A, 250V ac 10(2)A, 250V ac | 2 P.D.T. | ON* | OFF | ON* | 2506 2507 | | | | | | | | 17 16 |
| | | ON* | OFF | ON | 2507 | | | | | | | | 16 |

*Momentary contact.

① 1500 Type — Lever depressed toward terminal #3.
2500 Type — Lever depressed toward terminals #13 and #26.

② #1500 — #1507 switches are supplied in 1500 type base.
#2500 — #2507 switches are supplied in 2500 type base.

③ VDE: 10(4)A, 250V ac_u, except 1504, 1506, 1507, 2504, 2506, 2607; 10(2)A, 250V ac_u.

Break:

High-Inrush Option

16A, 250V ac for 10,000 cycles minimum.

Contact Material:

Silver inlay over copper.

Contact Resistance:

10 MΩ max. at 1A, 4V dc.

Mechanical Life:

50,000 cycles min.

Insulation Resistance:

50 MΩ min.

Dielectric Withstand:

1000V RMS minimum.

Terminal Types:

Standard — 6.3mm
 Tabs/.250" Quick-connect.
 Optional — Solder lug.

Termination Material:

Common (center) — Copper
 fine silver plated.
 End — Copper.
 Lamp — Brass.

Mounting:

See dimensions.

Operating

Temperature Range:

0°C to 85°C
 (+ 32°F to + 185°F).

International Approvals:

UL file E24354 or
 E1148, WOYR2.
 CSA file LR10538 or 45995
 VDE listing 36088 or
 6498-440.



1500R11E



1500H114E112

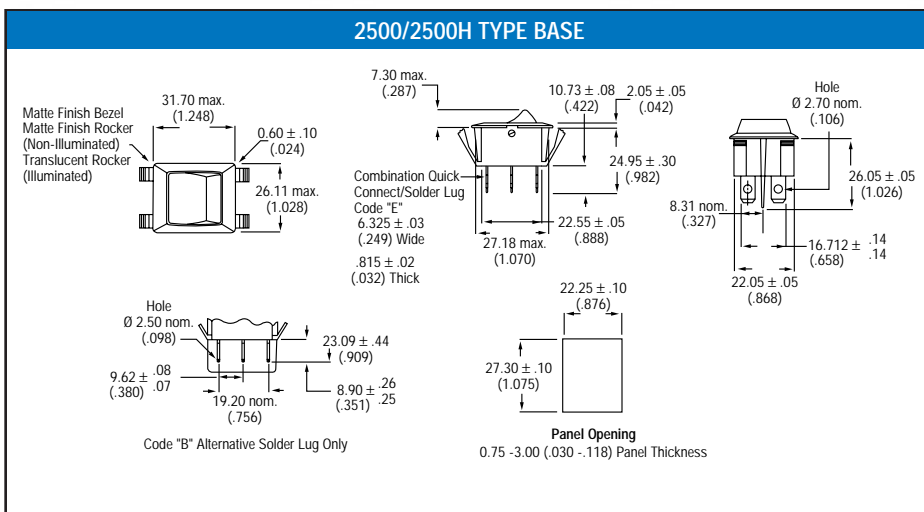
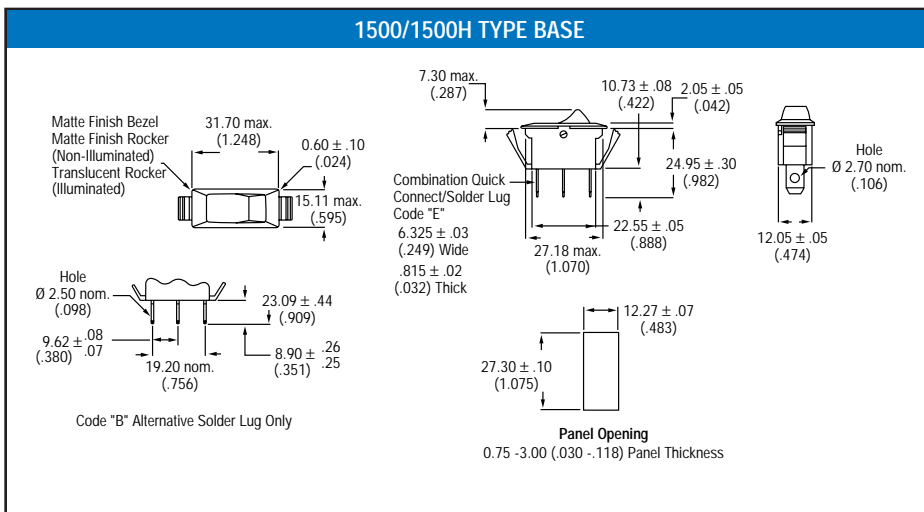


2500HG11E



2500HA21E

DIMENSIONS APPROXIMATE IN MM (INCHES)



1 ROCKER SWITCHES

Midsize Illuminated and Non-Illuminated AC Rated Rocker Switches — 1500/2500 Series (continued)

HOW TO ORDER — MIDSIZE ILLUMINATED

To determine your **Complete Catalog Number**, you must start with the appropriate **Base Circuit Number** and add the appropriate **Code Letters** and/or **Numbers** as in the example below:

| Start with this Base Circuit Number | ...add each appropriate Code Number or Letter... | | | | | ...to get to your Complete Catalog Number |
|--|--|-----------------|-------------------------|---------------------|----------------------|--|
| Base Circuit Catalog Number | Lens/Rocker Color | Lamp Voltage | Base and Bezel Color | Termination Type | Legend (optional) | Complete Catalog Number |
| 2500 | G | 2 | 2 | E | 038 | 2500G22E038 |

MIDSIZE ILLUMINATED SELECTION TABLE (BOLD FACE TYPE INDICATES ITEMS NORMALLY IN DISTRIBUTOR STOCK)

| Rating | Poles and Throw | Circuit with Rocker in | | | BASE CIRCUIT | CIRCUIT NUMBER SEE PAGE 4.29 | CODE LETTERS AND NUMBERS — ADD TO BASE CIRCUIT NUMBER | | | | | | | | | | |
|---|-----------------|------------------------|-----------------|----------------------------|--------------|------------------------------|---|------|--------------|------|----------------------|------|------------------------------------|------|-------------------|-------------|---|
| | | UP Position | CENTER Position | DOWN ¹ Position | | | Lens/Rocker Color | | Lamp Voltage | | Base and Bezel Color | | Termination Type | | Legend (optional) | | |
| | | | | | | | Color | Code | Voltage | Code | Color | Code | Termination | Code | Type | | |
| 15A, 125V ac 10A, 250V ac 10(4)A, 250V ac | 1 P.S.T. | ON | NONE | OFF | 1500 | 18 | Amber | A | No Lamp | 0 | Black | 1 | 6.3mm Tabs/ .250" Quick Connect | E | See Page 1.19 | | |
| | | ON* | NONE | OFF | 1501 | 21 | Green | G | 125V Neon | 1 | | | | | | White | 2 |
| | 2 P.S.T. | ON | NONE | OFF | 2500 | 28 | Red | R | 250V Neon | 2 | Red | 3 | | | | Solder Lugs | B |
| | | ON* | NONE | OFF | 2501 | 30 | White (Clear) | W | 6V Filament | 4 | | | | | | | |

*Momentary contact.

¹ 1500 Type — Lever depressed toward terminal #3.

2500 Type — Lever depressed toward terminals #13 and #26.

HOW TO ORDER — HI-LITE ROCKER WITH HIGH INRUSH OPTION

To determine your **Complete Catalog Number**, you must start with the appropriate **Base Circuit Number** and add the appropriate **Code Letters** and/or **Numbers** as in the example below:

| Start with this Base Circuit Number | ...add each appropriate Code Number or Letter... | | | | | ...to get to your Complete Catalog Number |
|--|--|-----------------|------------------|---------------------|----------------------|--|
| Base Circuit Catalog Number | Base and Bezel Color | Rocker Color | Hi-Lite Color | Termination Type | Legend (optional) | Complete Catalog Number |
| 1500H | 1 | 1 | 4 | E | 038 | 1500H114E038 |

HI-LITE ROCKER WITH HIGH INRUSH OPTION SELECTION TABLE

| Rating | Poles and Throw | Circuit with Rocker in | | | BASE CIRCUIT | CIRCUIT NUMBER SEE PAGE 4.29 | CODE LETTERS AND NUMBERS — ADD TO BASE CIRCUIT NUMBER | | | | | | | | | | |
|--|-----------------|------------------------|-----------------|----------------------------|--------------------|------------------------------|---|------|--------------|------|---------------|------|------------------------------------|------|-------------------|---------------------------------------|---|
| | | UP Position | CENTER Position | DOWN ¹ Position | | | Base and Bezel Color | | Rocker Color | | Hi-Lite Color | | Termination Type | | Legend (optional) | | |
| | | | | | | | Color | Code | Color | Code | Color | Code | Termination | Code | Type | | |
| 15A, 125V ac 10A, 250V ac ³ 10(2)A, 250V ac | 1 P.S.T. | ON | NONE | OFF | 1500 — | 1 | Black | 1 | Black | 1 | Black | 1 | 6.3mm Tabs/ .250" Quick Connect | E | See Page 1.19 | | |
| | | ON* | NONE | OFF | 1501 — | 3 | | | | | | | | | | White | 2 |
| 22A, 125V ac 16A, 250V ac ⁴ 16(4)A, 250V ac | 1 P.S.T. | ON | NONE | OFF | 1500H ² | 1 | Red | 3 | Red | 3 | Green | 4 | | | | Solder Lugs (Standard Rating Only) | B |
| | | ON | NONE | OFF | | | | | | | | | | | | | |

*Momentary Contact.

¹ 1500 Type — Lever depressed toward terminal #2.

² High Inrush capabilities available only on basic catalog numbers beginning with 1500H.

³ VDE: 10(4)A, 250V.

⁴ VDE: 16(4)A, 250V.

HOW TO ORDER — HIGH INRUSH NON-ILLUMINATED

To determine your **Complete Catalog Number**, you must start with the appropriate **Base Circuit Number** and add the appropriate **Code Letters** and/or **Numbers** as in the example below:

| Start with this Base Circuit Number | ...add each appropriate Code Number or Letter... | | | | ...to get to your Complete Catalog Number |
|--|--|-----------------|---------------------|----------------------|--|
| Base Circuit Catalog Number | Base and Bezel Color | Rocker Color | Termination Type | Legend (optional) | Complete Catalog Number |
| 1500H | 1 | 1 | E | 038 | 1500H11E038 |

HIGH INRUSH NON-ILLUMINATED SELECTION TABLE

| Rating | Poles and Throw | Circuit with Rocker in | | | BASE CIRCUIT | CIRCUIT NUMBER SEE PAGE 4.29 | CODE LETTERS AND NUMBERS — ADD TO BASE CIRCUIT NUMBER | | | | | | |
|---|-----------------|------------------------|-----------------|-----------------|--------------|------------------------------|---|--------|--------------|--------|------------------------------------|------|-------------------|
| | | UP Position | CENTER Position | DOWN ❶ Position | | | Base and Bezel Color | | Rocker Color | | Termination Type | | Legend (optional) |
| | | | | | | | Color | Code | Color | Code | Termination | Code | Type |
| 22A, 125V ac 16A, 250V ac 16(4)A, 250V ac | 1 P.S.T. | ON | NONE | OFF | 1500H | 1 | Black | 1 | Black | 1 | 6.3mm Tabs/ .250" Quick Connect | E | See Page 1.19 |
| | 2 P.S.T. | ON | NONE | OFF | 2500H | 10 | White Red | 2 3 | White Red | 2 3 | | | |

*Momentary Contact.

- ❶ 1500H Type — Rocker depressed toward terminal #2.
- 2500H Type — Rocker depressed toward terminals #13 and #26.

HOW TO ORDER — HIGH INRUSH ILLUMINATED

To determine your **Complete Catalog Number**, you must start with the appropriate **Base Circuit Number** and add the appropriate **Code Letters** and/or **Numbers** as in the example below:

| Start with this Base Circuit Number | ...add each appropriate Code Number or Letter... | | | | ...to get to your Complete Catalog Number |
|--|--|-----------------|-------------------------|---------------------|--|
| Base Circuit Catalog Number | Lens/Rocker Color | Lamp Voltage | Base and Bezel Color | Termination Type | Legend (optional) |
| 2500H | G | 2 | 2 | E | 038 |

HIGH INRUSH ILLUMINATED SELECTION TABLE

| Rating | Poles and Throw | Circuit with Rocker in | | | BASE CIRCUIT | CIRCUIT NUMBER SEE PAGE 4.29 | CODE LETTERS AND NUMBERS — ADD TO BASE CIRCUIT NUMBER | | | | | | | | |
|---|-----------------|------------------------|-----------------|-----------------|--------------|------------------------------|---|------------------|--|----------------------------|-----------------------|-------------|------------------------------------|---|---------------|
| | | UP Position | CENTER Position | DOWN ❶ Position | | | Lens/Rocker Color | | Lamp Voltage | | Base and Bezel Color | | Legend (optional) | | |
| | | | | | | | Color | Code | Voltage | Code | Color | Code | Type | | |
| 22A, 125V ac 16A, 250V ac 16(4)A, 250V ac | 1 P.S.T. | ON | NONE | OFF | 1500H | 18 | Amber Green Red White (Clear) | A G R W | No Lamp 125V Neon 250V Neon 6V Filament 12V Filament 24V Filament | 0 1 2 4 5 6 | Black White Red | 1 2 3 | 6.3mm Tabs/ .250" Quick Connect | E | See Page 1.19 |
| | 2 P.S.T. | ON | NONE | OFF | 2500H | 28 | | | | | | | | | |

*Momentary Contact.

- ❶ 1500H Type — Rocker depressed toward terminal #3.
- 2500H Type — Rocker depressed toward terminals #13 and #26.

